

NO.	E1AM-2747
ISSUED:	JAN.2007
REVISED:	FEB.2011

@Á\|•@æáŸ>|~\^ãà\^ã\Á\|Á\F€ÔŠÒÁ^ášè\çËÖ\|ã

Sè\çËÖ\|ã  
 Ö\|Á\|çã\^Á\F  
 FÇEJ\Á\|ã  
 Ç\|KÈI JÁHÈÁ\|Á\FÁ€ÇÇ  
 ÇãKÈI JÁHÈÁ\|Á\FÁ€ÇF  
 Tæ\|ã\|O\æ\çËÁ\|ã Èá^  
 Çç\|^çã\|, Èæ\çËÁ\|ã Èç\|



**HOSHIZAKI  
 SELF-CONTAINED CUBER**

**MODEL IM-100CLE  
 IM-100CLE-21  
 IM-100CLE-23**

**PARTS LIST**

[ HE, HSP, CHINA ]

E-1	AUG.	2005	U-0	JAN.	2009
R-0	DEC.	2006	V-0	JAN.	2010
S-0	JAN.	2007	L-0	JAN.	2011
S-1	NOV.	2007			
S-2	DEC.	2007			
T-0	JAN.	2008			
T-1	JUL.	2008			
T-2	OCT.	2008			

## MATERIAL ABBREVIATIONS

### ALUMINUM

AL = Aluminum

### COPPER

CU = Copper

### PLASTIC

ABS = Acrylonitrile -butadiene - styrene  
AC = Polyacetal  
EVA = Ethylene vinyl acetate  
PA = Polyamide = Nylon  
PC = Polycarbonate  
PE = Polyethylene  
PES = Polyester  
PETP = Polyethylene terephthalate = Tetlon  
PP = Polypropylene  
PS = Polystyrene  
PTFE = Polytetrafluoroethylene = Teflon  
PUR = Polyurethane  
PVC = Polyvinyl chloride

### RUBBER

VN = Vinyl Nitrile  
EPDM = EP rubber  
NBR = Nitrile butadiene rubber  
NR = Natural rubber  
NP = Neoprene  
SI.R = Silicone rubber  
SY.R = Synthetic rubber  
EPH = Epichlorohydrin

### STEEL

GS = Galvanized steel  
SS = Stainless steel  
PS = Plated steel  
PAS = Primed steel

### AUXILIARY CODE

K-0

Designates the year. "K" indicates the year 2000. Years progress or regress in alphabetical order. "J" is 1999, "L" is 2001, "M" is 2002, and so on. The letters "I" and "O" were skipped.

Designates significant part changes within the same year. Base is 0 and this number advances for each change.

Example: P-1

"P" indicates 2004.

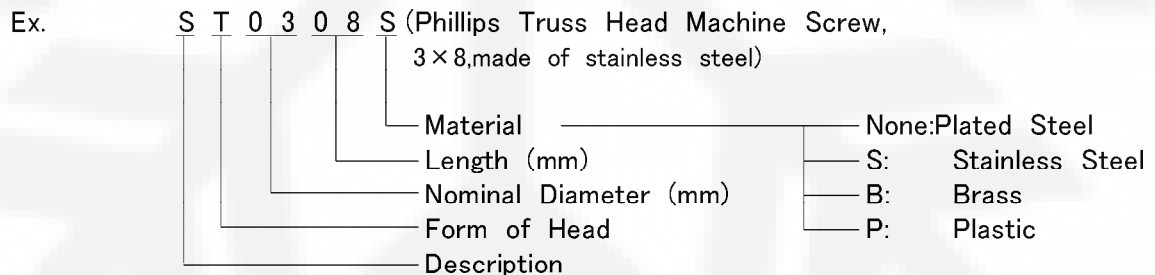
"1" indicates the first significant part change for 2004.

### MARKS LOCATED UNDER THE AUXILIARY CODE

- = Part deleted.
- x = Part deleted and replaced by "o" part.
- o = New part in place of "x" part.

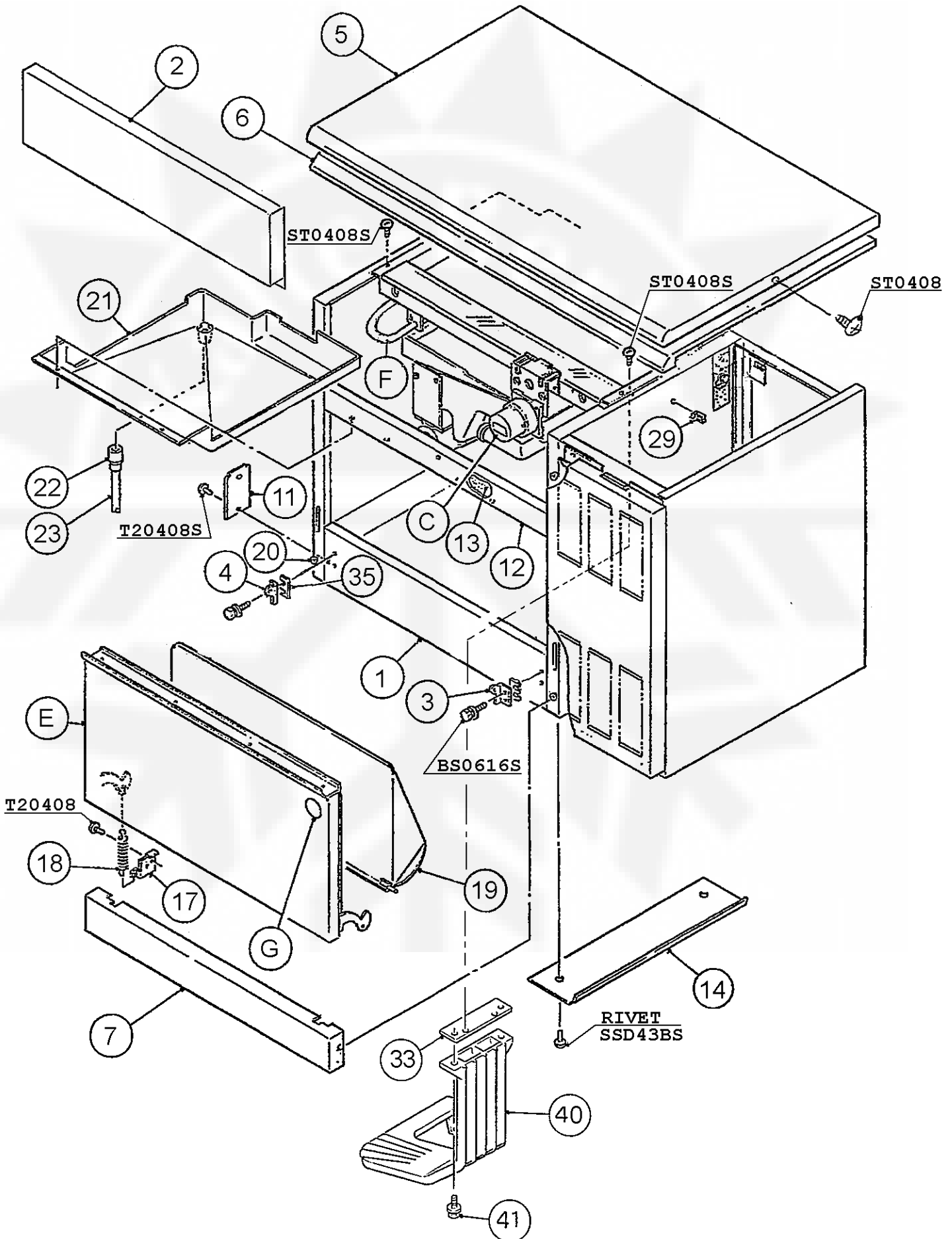
## FASTENER ABBREVIATION LIST

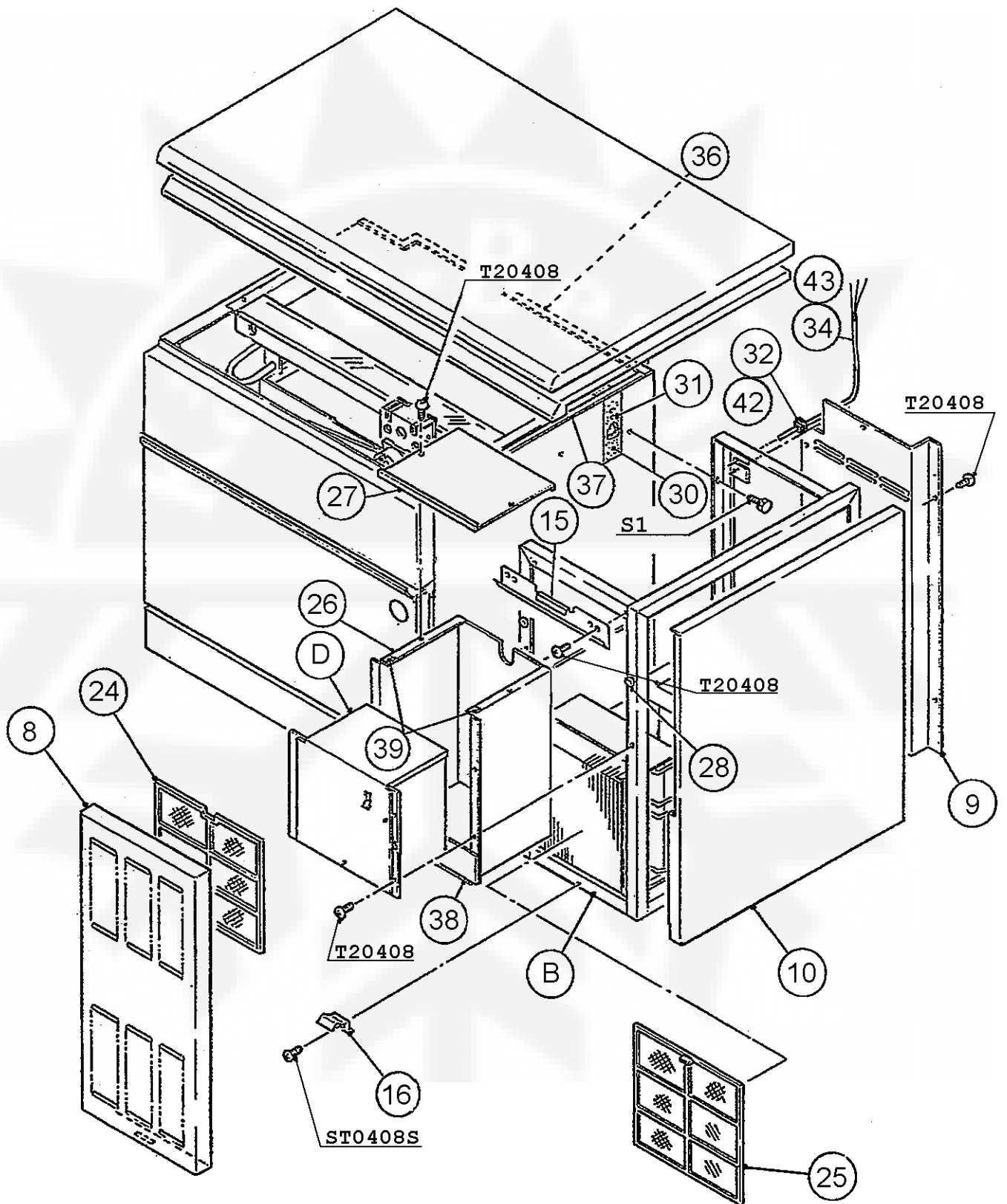
ST	=	Phillips Truss Head Machine Screw
SP	=	Phillips Pan Head Machine Screw
SF	=	Phillips Flat Head Machine Screw
SS	=	Phillips Pan Head Machine Screw with Split Lock Washer
SW	=	Phillips Pan Head Machine Screw with Split Lock Washer and Flat Washer
T1	=	Phillips Truss Head Tapping Screw (Correspond to Type A)
T2	=	Phillips Truss Head Tapping Screw (Correspond to Type B)
T3	=	Phillips Truss Head Tapping Screw (Correspond to Type C)
FT	=	Phillips Truss Head Tapping Screw (Special)
BH	=	Hexagon Head Bolt
BC	=	Socket Head Cap Screw
BS	=	Hexagon Bolt with Split Washer
BW	=	Hexagon Bolt with Split Washer and Flat Washer
BF	=	Hexagon Flange Bolt
BR	=	Cross-Recessed Hexagon Head Bolt
BRW	=	Cross-Recessed Hexagon Head Bolt with Split Lock Washer and Flat Washer
WL	=	Split Lock Washer
WT	=	External Tooth Washer
WF	=	Flat Washer
WS	=	Spring Washer
NH	=	Hexagon Nut
NF	=	Hexagon Flange Nut
NC	=	Hexagon Cap Nut
NS	=	Square Nut
NW	=	Wing Nut



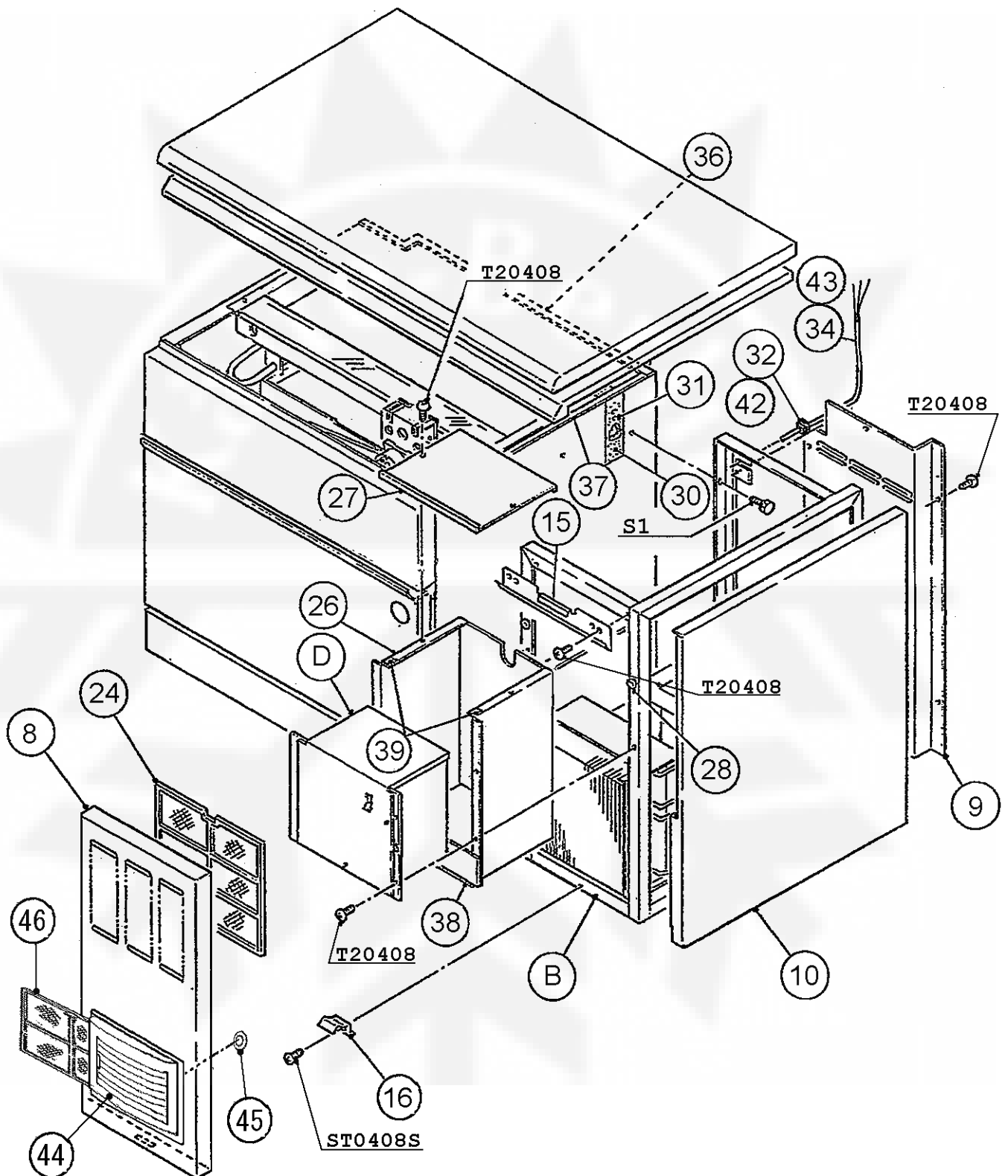
(Note)     Second character is numerical except the list.  
                  Ex: S1,S2,B3 etc.

And abbreviations and names are shown under the illustration.





S1-Hexagon Tapping Screw, 6×16



S1-Hexagon Tapping Screw, 6×16

**HE,HSP,CHINA**

MODEL : <b>IM-100CLE</b> <b>IM-100CLE-21,-23</b> TITLE : <b>A. ICE CUBER ASSY</b>							
INDEX NO.	DESCRIPTION	MATERIAL OR MODEL NUMBER	PART NUMBER	REQ'D NUMBER			
				E-1 R-0 S-0	S-1	S-2 T-0 T-1	T-2,U-0 V-0,L-0
B	REFRIGERATION ASSY	(100CLE-23)	1H3256A01	1	—		
	REFRIGERATION ASSY	(100CLE-23)	1H3256A02		1	1	1
	REFRIGERATION ASSY	(100CLE,-21)	-	1	1	1	1
C	ICE MAKING MECHANISM ASSY	(100CLE-23)	1H3257A01	1	1	1	1
	ICE MAKING MECHANISM ASSY	(100CLE,-21)	-	1	1	1	1
D	CONTROL BOX ASSY	-	2H7119A01	1	1	1	1
E	DOOR ASSY	-	3H1420A07	1	1	—	
		-	3Y2909A01			1	1
F	WATER CIRCUIT ASSY	-	3Y0174A01	1	1	1	1
G	LABEL LOCATION	-	3Y0175A01	1	1	1	1
1	UNIT BODY	-	1H3225G01	1	1	1	—
		-	1H3225G02				1
2	FRONT PANEL (A)	S.S	3Y0178G01	1	1	1	1
3	HINGE (RIGHT)	S.S	4H2583-01	1	1	1	1
4	HINGE (LEFT)	S.S	4H2584-01	1	1	1	1
5	TOP PANEL	S.S	2H7118-01	1	1	1	1
6	INSULATION - TOP PANEL	PS	3H2983-01	1	1	1	1
7	FRONT PANEL (B)	S.S	2H7114-01	1	1	1	1
8	FRONT PANEL (C)	S.S	3Y0176A01	1	1	1	—
		S.S	3Y4046A01				1
9	REAR PANEL	G.S	3H2991-01	1	1	1	1
10	SIDE PANEL(R2)	S.S	3Y0162-01	1	1	1	1
11	COVER-SPRING	S.S	4H5172-01	1	1	1	—
		S.S	4Y5676M01				1
12	FRONT FRAME	S.S	3Y0161-01	1	1	1	1
13	INSULATION - FRONT FRAME	PE	4Y3027-01	1	1	1	1
14	BRACKET-UNIT	G.S	3H2990-01	1	1	1	1
15	HOOK-FRONT PANEL(D)	S.S	3X5901-01	1	1	1	1
16	SPRING-FRONT PANEL(D1)	S.S	4X9648-02	1	1	1	1
17	BRACKET-SPRING	G.S	4X4331-01	1	1	1	1
18	SPRING	SWPB φ1.6	4X5209-01	1	1	1	1
19	SLOPE	ABS	3H2978G01	1	1	1	1
20	TAPER COLLAR	S.S	4H0171-01	4	4	4	4

**HE,HSP,CHINA**

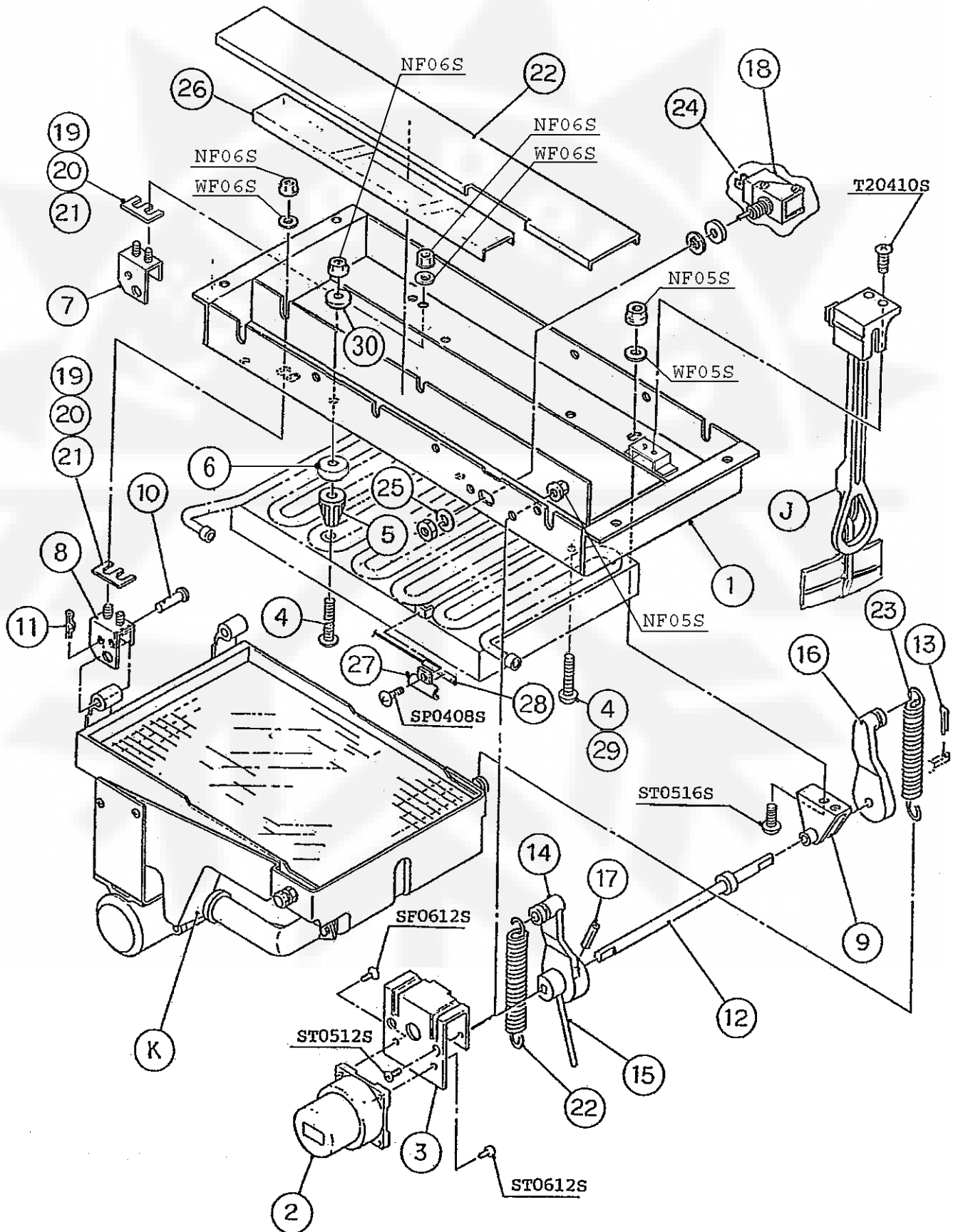
MODEL : <b>IM-100CLE</b> <b>IM-100CLE-21,-23</b> TITLE : <b>A. ICE CUBER ASSY</b>							
INDEX NO.	DESCRIPTION	MATERIAL OR MODEL NUMBER	PART NUMBER	REQ'D NUMBER			
				E-1 R-0 S-0	S-1	S-2 T-0 T-1	T-2,U-0 V-0,L-0
21	DRAIN PAN	ABS	2H6143G01	1	1	1	1
22	DRAIN TUBE	SI	4H2585-01	1	1	1	1
23	PIPE - DRAIN PAN	ABS	4H4659-01	1	1	1	1
24	AIR FILTER(B)	PP	4X4629-01	1	1	1	1
25	AIR FILTER	PA	332631G01	1	1	1	x
26	SHROUD(B)	G.S	3X0376G01	1	1	1	1
27	SHROUD(B-3)	G.S	4X4528-01	1	1	1	1
28	TAPER COLLAR	S.S	4H0171-01	2	2	2	2
29	WIRE SADDLE	LWS-2NS	428060-02	1	1	1	1
30	INSULATION (A)	PE	4H2683-01	1	1	1	1
31	INSULATION (B)	PE	4X5297-01	1	1	1	1
32	BUSHING	CEE-SR-6P-10	448949-01	1	x		
33	BRACKET-BASE	PAINTED STEEL	4X4719-01	1	1	1	1
34	POWER SUPPLY CORD	(HE)	452263-01	1	x		
	POWER SUPPLY CORD	(HSP)	458139-01	1	x		
35	SPACER	ABS	4H6317-01	2	2	2	2
36	SOFT TAPE	t3 x 15 x 700	1H3254-63	1	1	1	1
37	SOFT TAPE	t3 x 15 x 550	1H3254-64	1	1	1	1
38	SOFT TAPE	t15 x 15 x 240	1H3254-65	1	1	1	1
39	SOFT TAPE	t3 x 15 x 15	1H3254-66	2	2	2	2
40	ICE GUIDE(D)	ABS	1H1569-01	1	1	1	1
41	THUMB SCREW	ABS,S.S	4X3591G04	5	5	5	5
42	CONNECTOR	-	P00245-01		1	1	1
43	POWER CORD	(CONTINENTAL)	P00240-01		1	1	1
	POWER CORD (WITH UK PLUG)	(UK)	P00241-01		1	1	1
	POWER CORD	(AUSTRALIA)	P00242-01		1	1	1
	POWER CORD	(CHINA)	P01960-01				1
44	LOUVER B		1A0548-01				1
45	PUSH - RETAINER		4A2414-01				3
46	AIR FILTER B		2A2063G01				1



**HE,HSP,CHINA**

MODEL : <b>IM-100CLE</b> <b>IM-100CLE-21,-23</b> TITLE : <b>B. REFRIGERATION ASSY</b>							
INDEX NO.	DESCRIPTION	MATERIAL OR MODEL NUMBER	PART NUMBER	REQ'D NUMBER			
				E-1 R-0 S-0	S-1	S-2 T-0 T-1	T-2,U-0 V-0,L-0
H	FAN MOTOR ASSY	(S-0950)	3H9446A01	1	1	1	1
1	COMPRESSOR	SC18G	452236-01	1	1	1	1
2	CONDENSER - AIR-COOLED	-	2H3462-01	1	1	1	1
3	SHROUD(A)	G.S	3H7587-01	1	1	1	—
		G.S	3Y4043M01				1
4	HOT GAS VALVE	ATS-7S10HD-1	418636-02	1	1	1	1
5	DRIER	DML032.5S	462965-01	1	1	1	1
6	TIE	T50RSF	436156-02	1	1	1	1
7	EXPANSION VALVE	FSE-5QHD-1	452202-01	1	1	1	1
8	COVER (A) - EXPANSION VALVE	PE FOAM	4H9239-01	1	1	1	1
9	COVER (B) - EXPANSION VALVE	PE FOAM	4H9239-02	1	1	1	1
10	CLIP	068N2530	452254-01	2	2	2	2
11	INSULATION TUBE	25 ID x 35 OD, L=130	4X8643-01	1	1	1	1
12	TIE	CV-150	7920-0003	4	4	4	4
13	EVAPORATOR (S-0796)	(100CLE-23)	2H1836G01	1	1	1	1
	EVAPORATOR	(100CLE-21)	2H0716G01	1	1	1	1
	EVAPORATOR	(100CLE)	2H6438G02		1	1	1
14	STRAINER	COPPER	430365-02	1	1	1	1
15	COPPER TUBE (A-1) - HIGH SIDE	COPPER	4Y3032-01	1	1	1	1
16	TEE	COPPER	420041-11	1	1	1	1
17	COPPER TUBE (A-2) - HIGH SIDE	COPPER	4Y3033-01	1	1	1	1
18	COPPER TUBE (B) - HIGH SIDE	COPPER	4Y3034-01	1	1	1	1
19	COPPER TUBE (C) - HIGH SIDE	COPPER	4Y3035-01	1	1	1	1
20	TEE	COPPER	417394-01	1	1	1	1
21	PIPE	COPPER	4H9158-03	1	1	1	1
22	HEAT EXCHANGER	COPPER	3Y0188G01	1	1	1	1
23	COPPER TUBE (E)	COPPER	4H4701G01	1	1	1	1
24	COPPER TUBE (H)	COPPER	4H5168G01	1	1	1	1
25	COPPER TUBE (A) - HOT GAS	COPPER	4Y3036G01	1	1	1	1
26	COPPER TUBE (B) - HOT GAS	COPPER	4Y3037G01	1	1	1	1
27	COPPER TUBE (C) - HOT GAS	COPPER	4Y3038G01	1	1	1	1
28	PROCESS TUBE	COPPER	4X4047-01	1	1	1	1

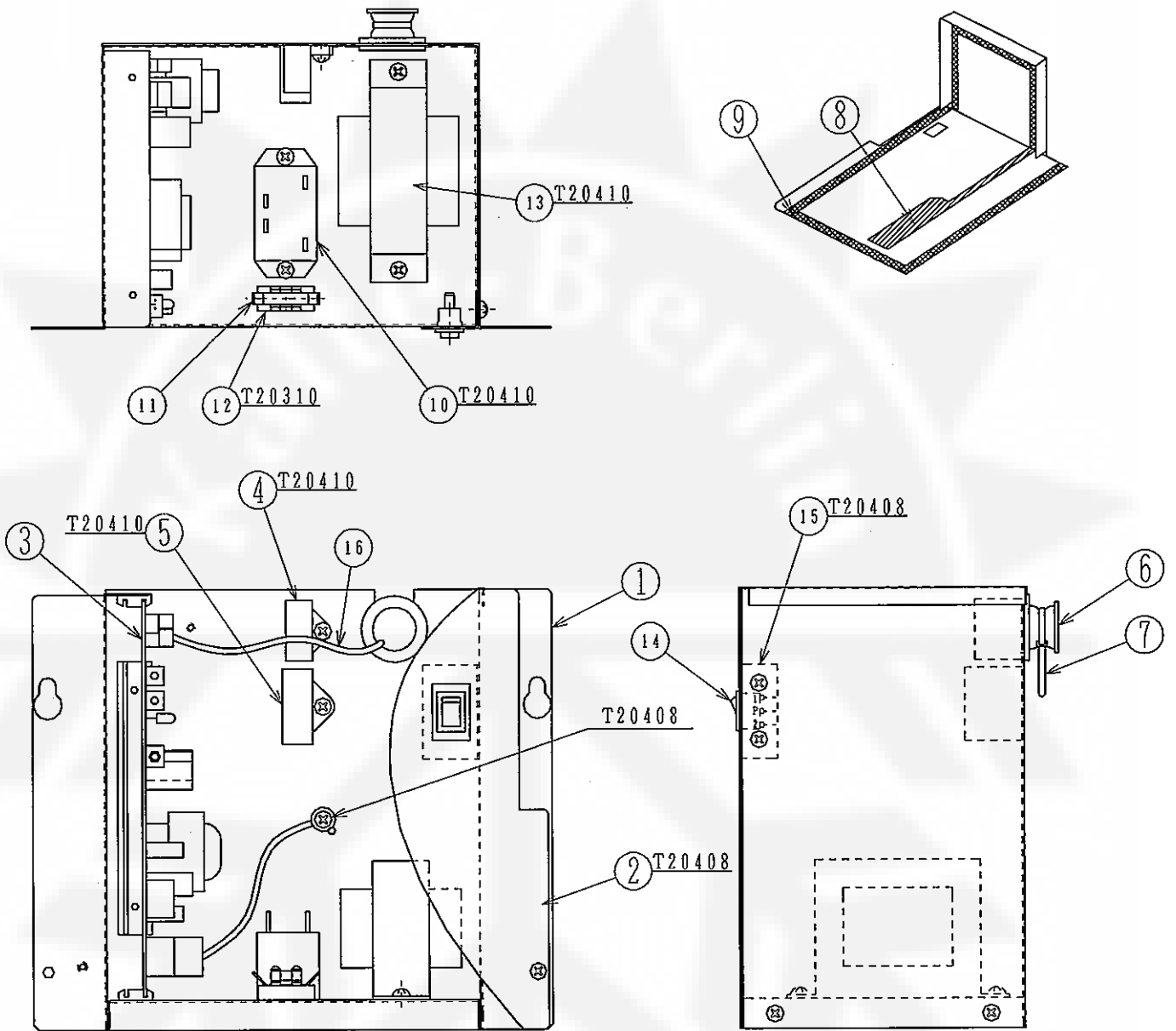




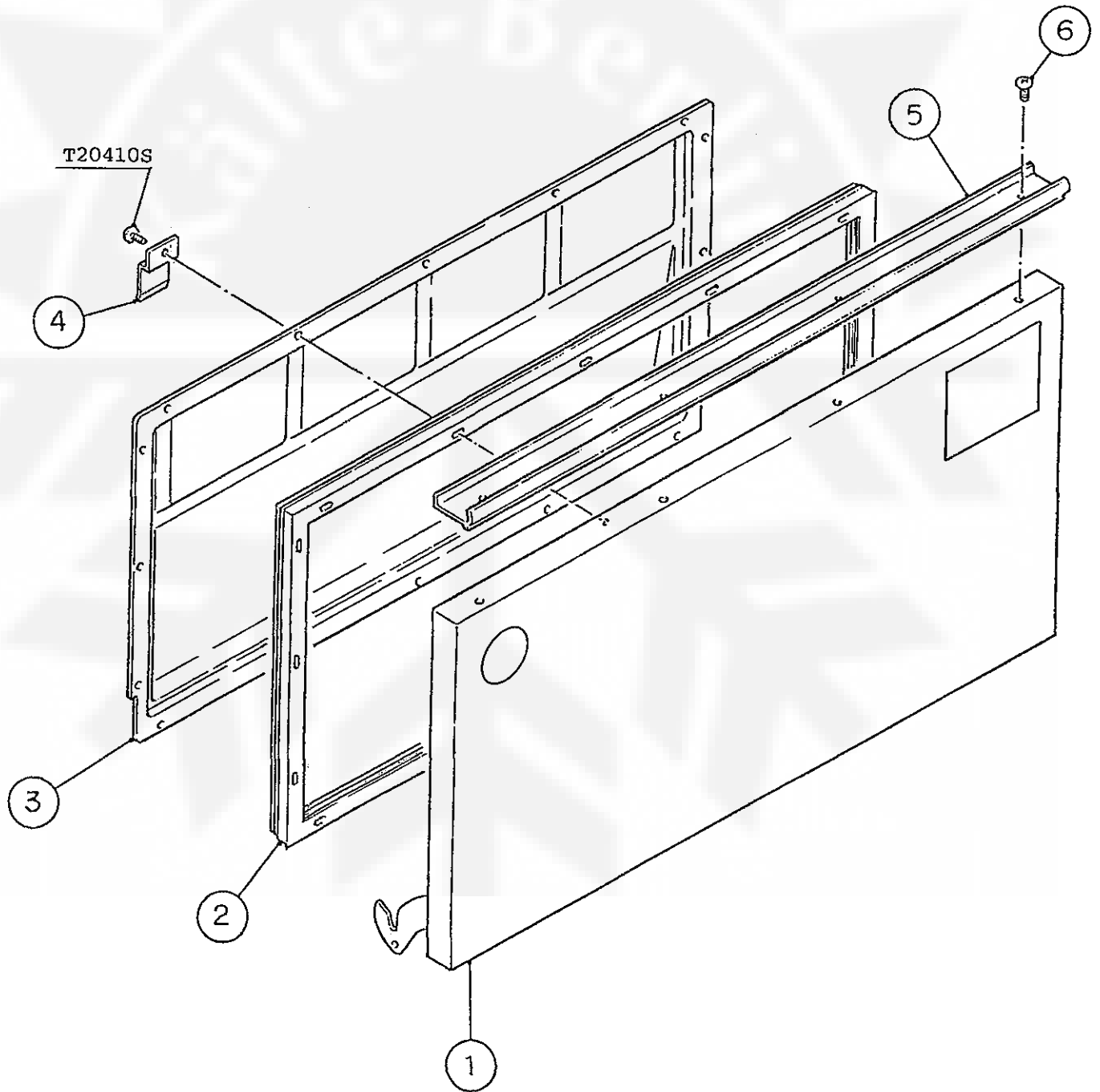
**HE,HSP,CHINA**

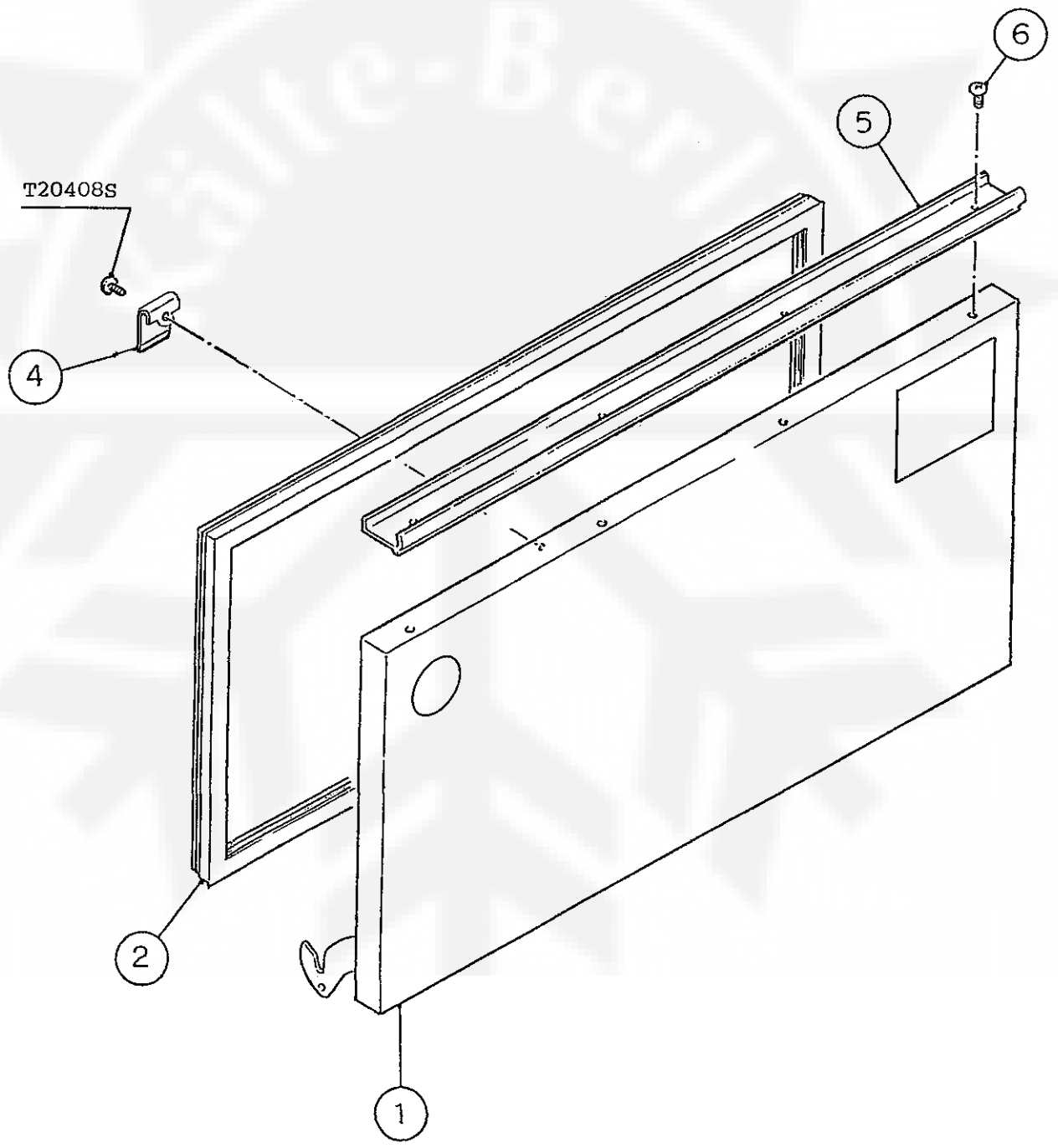
MODEL : <b>IM-100CLE</b> <b>IM-100CLE-21,-23</b> TITLE : <b>C. ICE MAKING MECHANISM ASSY</b>							
INDEX NO.	DESCRIPTION	MATERIAL OR MODEL NUMBER	PART NUMBER	REQ'D NUMBER			
				E-1 R-0 S-0	S-1	S-2 T-0 T-1	T-2,U-0 V-0,L-0
J	BIN CONTROL SWITCH ASSY	(S-0971)	3H1538A03	1	1	1	1
K	WATER PAN ASSY	(100CLE-23)	2H0679A03	1	1	1	1
	WATER PAN ASSY	(100CLE-21)	-	1	1	1	1
1	MECHANISM BASE	(100CLE-23) (100CLE) PAINTED STEEL	3Y0185G01	1	1	1	1
	MECHANISM BASE	(100CLE-21) PAINTED STEEL	3Y1031G01	1	1	1	1
2	ACTUATOR MOTOR	SR65A41-13	452499-01	1	1	1	1
3	BRACKET - ACTUATOR MOTOR	PAINTED STEEL	4H2679-01	1	1	1	1
4	BOLT - EVAPORATOR MOUNTING	(100CLE-23)	4H2886-01	4	4	4	x4
	SCREW-EVAPORATOR		4Y4922M03				O4
	BOLT - EVAPORATOR MOUNTING	(100CLE-21)	4H2886-01	2	2	2	x2
	SCREW-EVAPORATOR		4Y4922M03				O4
	BOLT - EVAPORATOR MOUNTING	(100CLE)	4H2678-01		4	4	x4
	SCREW-EVAPORATOR		4Y4922M02				O4
5	COLLAR	(100CLE)	3H3879-01	4	4	4	4
6	WASHER	(100CLE-23)	4H1365-05	4	4	4	4
		(100CLE-21)	4H1365-06	4	4		4
7	HANGER BRACKET	S.S	3H1440G01	1	1	1	1
8	HANGER BRACKET	S.S	3H1440G02	1	1	1	1
9	BEARING - CAM SHAFT	POM	3X8307-01	1	1	1	1
10	SHAFT (B)	S.S	4H1184-02	2	2	2	2
11	SNAP PIN	S.S, NO. 6	715S-0006	2	2	2	2
12	CAM SHAFT	S.S	4H2702G01	1	1	1	1
13	COTTER PIN	S.S, 2x12	711S-0212	1	1	1	1
14	CAM (A)	(303881A02)	306543G02	1	1	1	1
15	CHANGE LEVER		S.S	406261-01	1	1	1
16	CAM (B)	AC	315775-01	1	1	1	1
17	ROLL PIN	S.S, 3x28	712S-0328	1	1	1	1
18	TOGGLE SWITCH	VAT4-71	431977-01	1	1	1	1
19	SHIM (A) - EVAPORATOR	S.S	4H2691-01	REQ'D	REQ'D	REQ'D	REQ'D
20	SHIM (B) - EVAPORATOR	S.S	4H2691-02	REQ'D	REQ'D	REQ'D	REQ'D
21	SHIM (C) - EVAPORATOR	S.S	4H2691-03	REQ'D	REQ'D	REQ'D	REQ'D



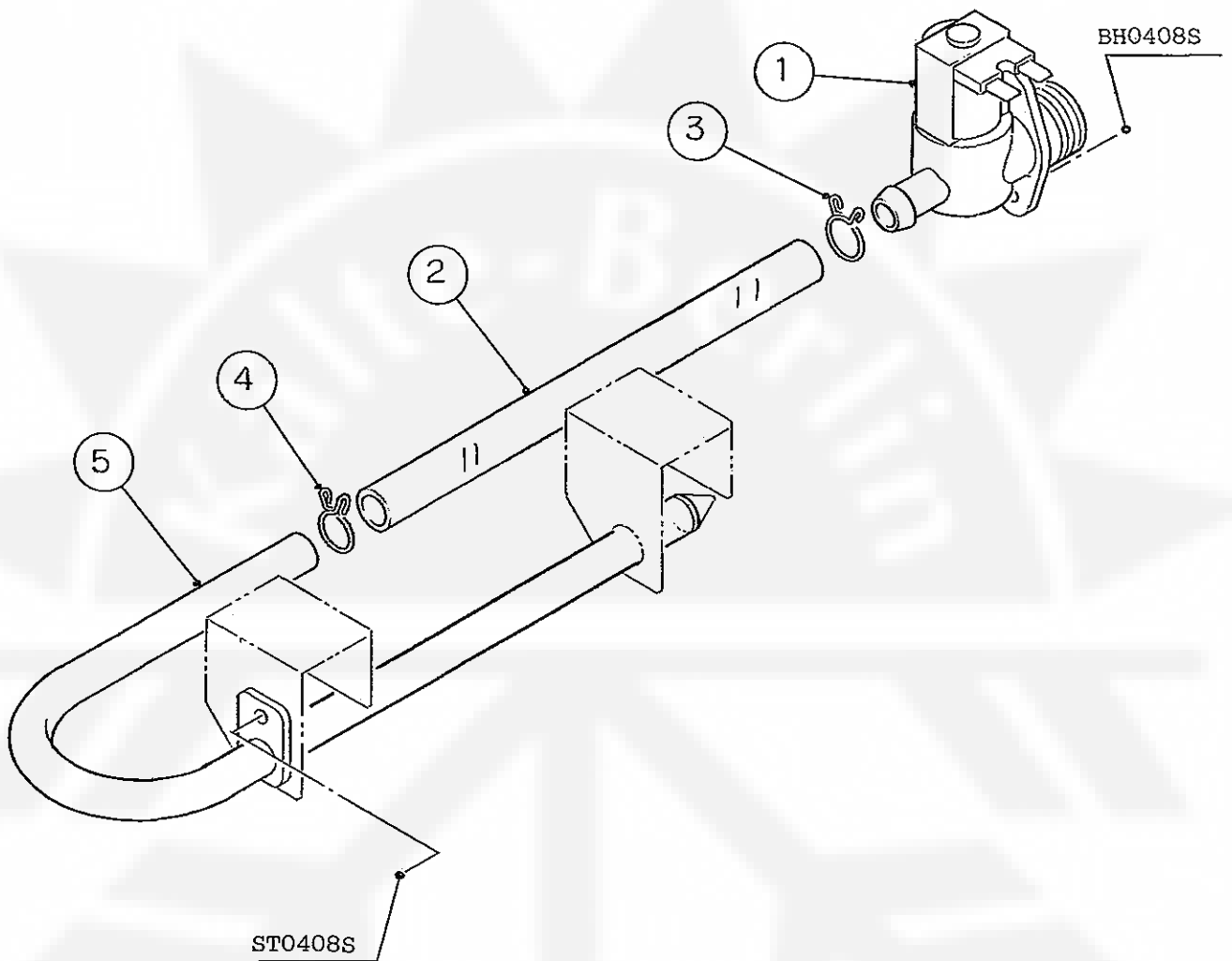




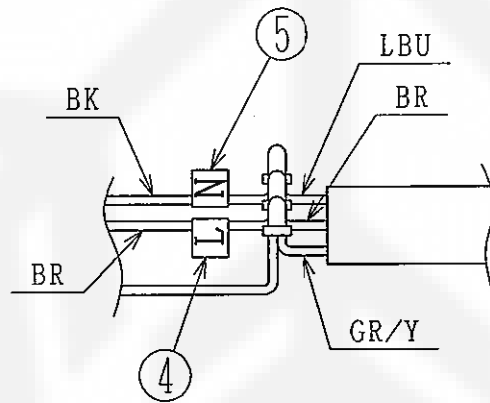
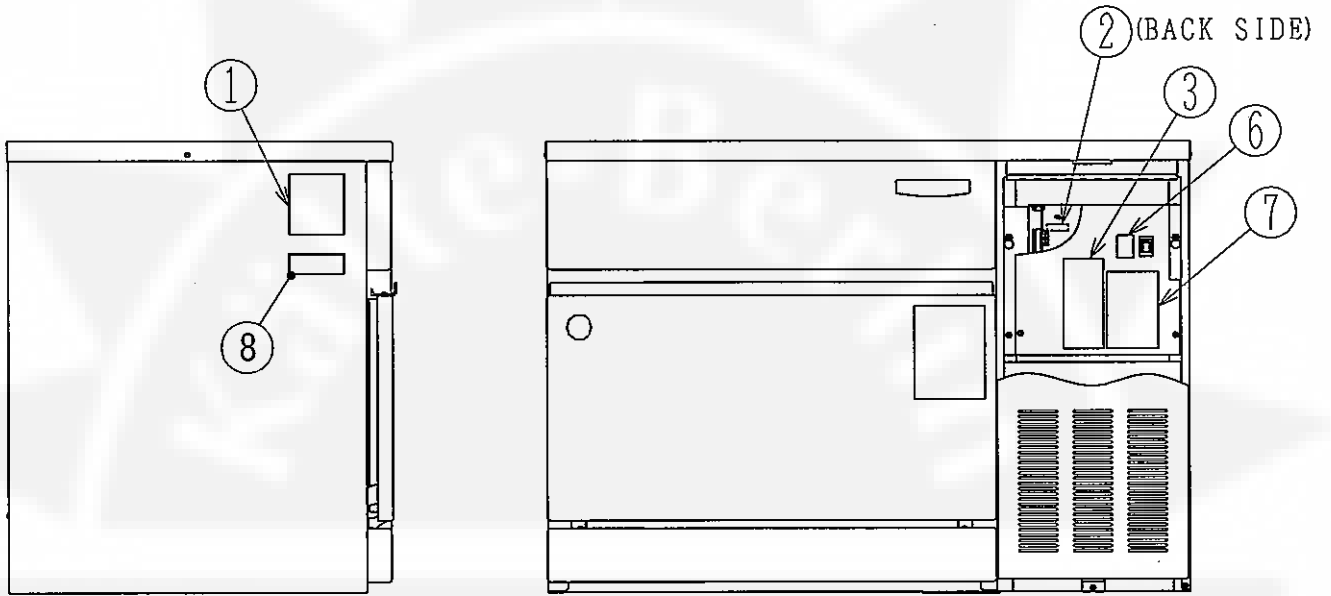












POWER CORD



